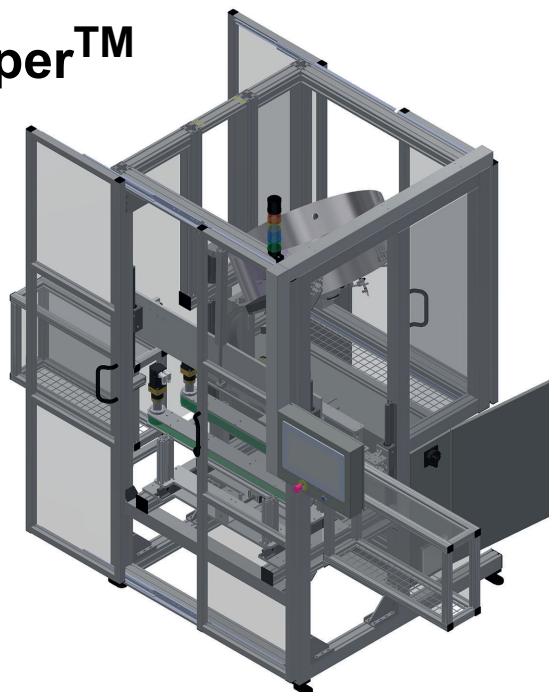


# Technical Data - Floating Capper™

- New unique technique  
No stops, no queue, no splash on the package
- High capacity, up to 90 ppm
- Easy change over using pre-defined recipes and fixed cap parts
- Controlled torque
- Integrated cap control
- Simplified format parts
- Suitable for installation in ATEX environments



## Technical Data

Max capacity per hour  
5 400 packages  
Max capacity per min  
90 packages

## Electricity

Power supply	400/230 V AC
Frequency	50 Hz
Phase	3-Phase
Consumption:	Capper
	(incl conveyor)
	5 kW

Air supply	6 Bar
Air flow	max 300 l/min

## Machine dimensions:

Length	3000 mm
Depth	1800 mm
Height	2910 mm

